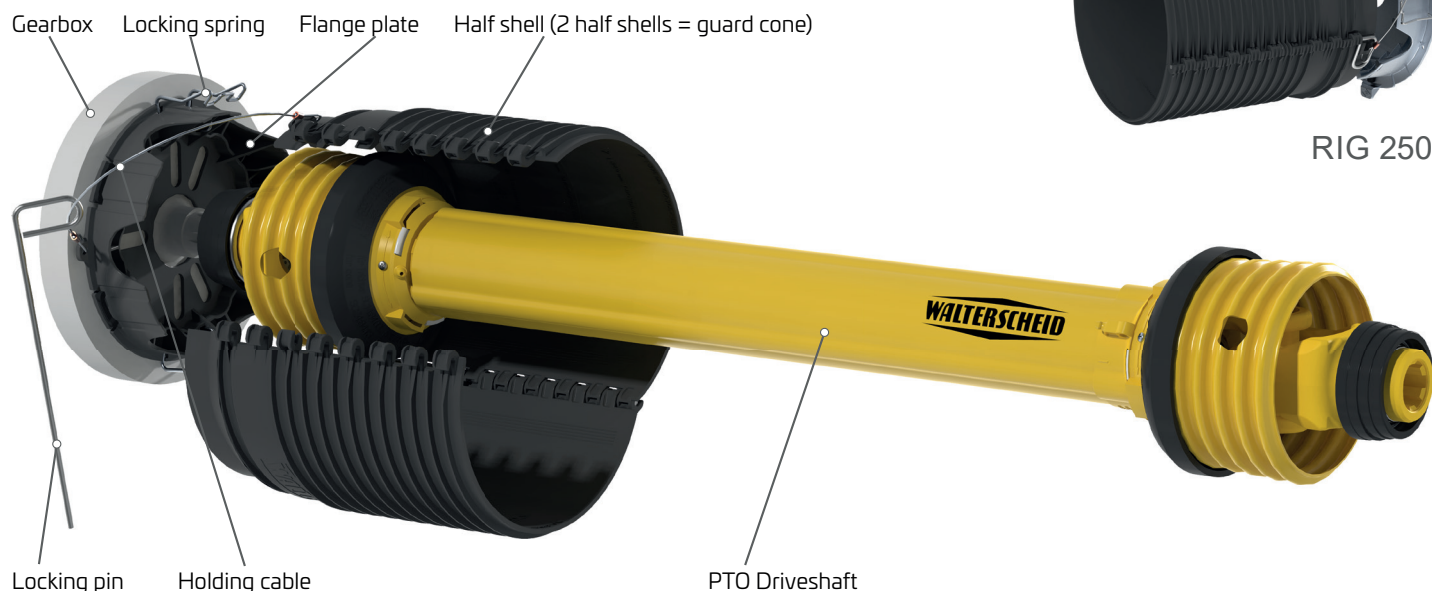


## Removable Implement Guard

### Removable Implement Guard (RIG)

The new Walterscheid guard cone makes mounting and dismounting PTO driveshafts from the implement significantly easier, as well as improving access for servicing. The guard can be opened and removed in a few quick steps.



In comparison to conventional products, the new RIG offers several advantages:

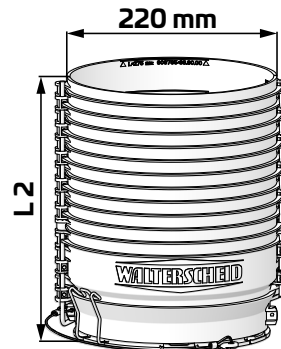
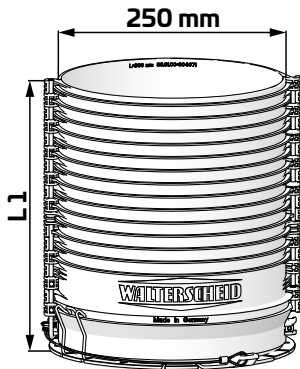
- > Easy to install
  - Automatic 360° locking – no angular alignment required
  - Guard cone can be engaged before or after mounting the PTO driveshaft
  - Simple engagement – single click and tool-less
- > Easy to remove
  - Locking clips are easily accessed and released with a screw driver
  - Opening the locking clip automatically lift the cone away from the gearbox flange plate
- > Easy access to driveshaft
  - Guard cone can be easily removed
  - For even better access the half shells can be opened
- > Universal hole pattern fits the majority of agricultural implements without modification
- > Retaining cable connects all components to prevent loss
- > Manufactured with high quality materials

\* RIG = Removable Implement Guard

# PRODUCT INFORMATION

PTO PI1608.6.0\_GB

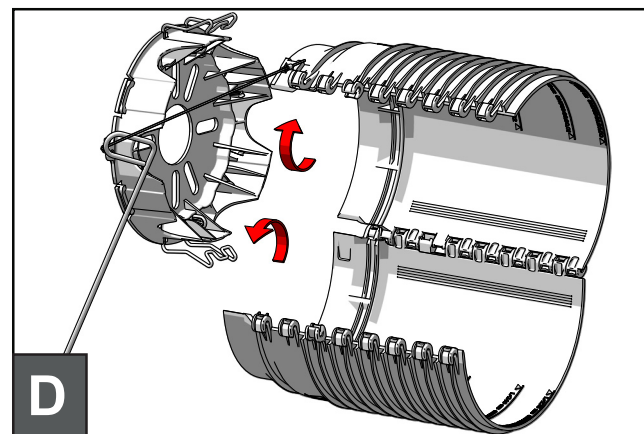
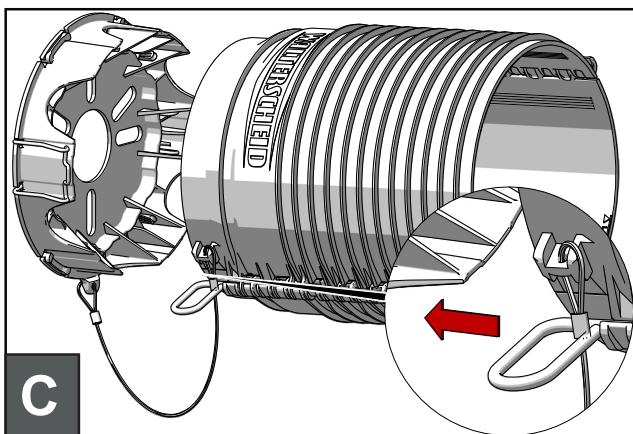
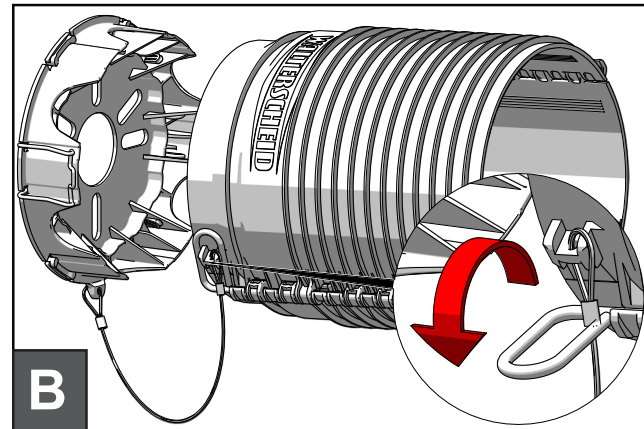
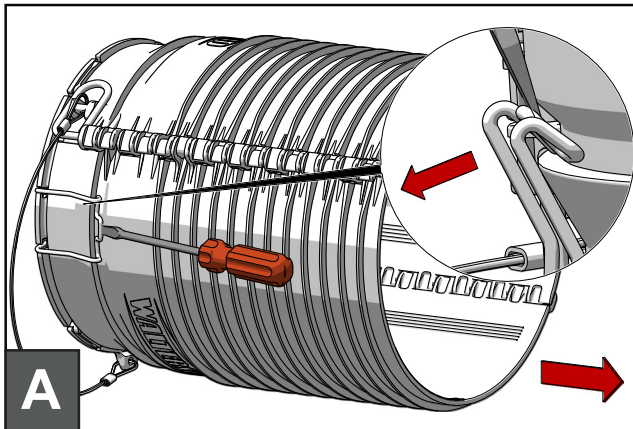
Each of the 2 RIG sizes are available in 3 different lengths.



RIG 250		
L1	Order no.	Drawing no.
300 mm	1604070	88.40.00
240 mm	1604080	88.41.00
180 mm	1604090	88.42.00

RIG 220		
L2	Order no.	Drawing no.
275 mm	1607330	88.00.00
240 mm	1607331	88.01.00
180 mm	1607332	88.02.00

## Easy handling



\* RIG = Removable Implement Guard