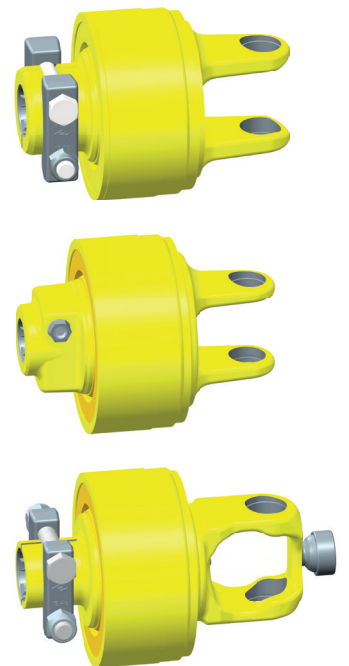


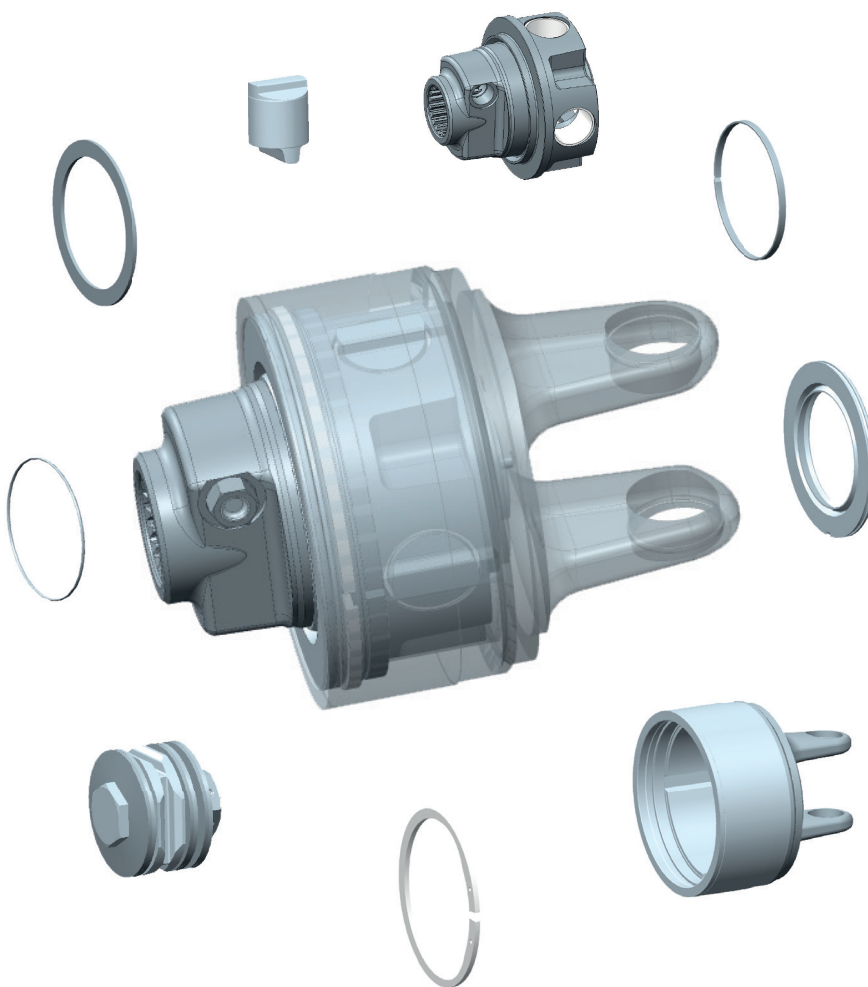
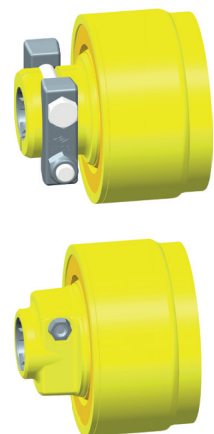
Cam-type cut out clutch K68 / EK68

Clutches and components

K68/22
K68/24



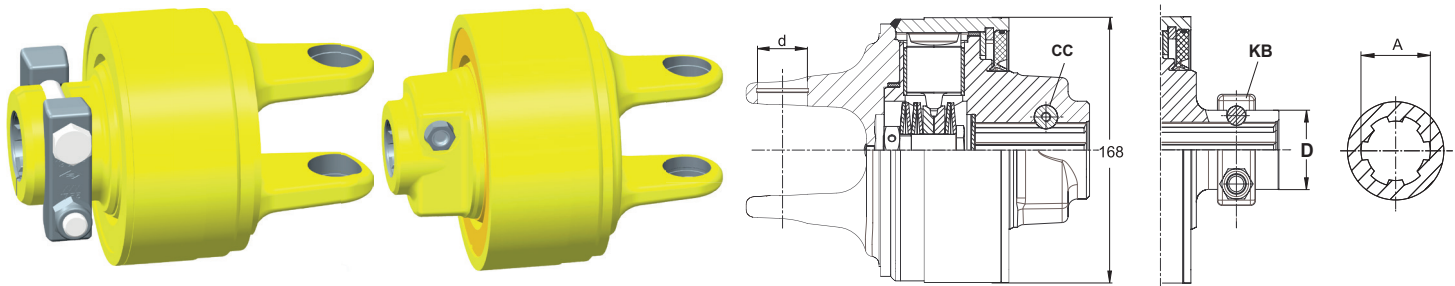
EK68/22
EK68/24



PRODUCT INFORMATION

PTO PI1701.1_GB

Cam-type cut out clutch K68 / EK68



K68/22R

Type	Size	d [mm]	A Profil	Lock	D [mm]	M [daNm]	Drawing-No.	Part-No.
K68/22R	2400	32	1 3/8" (6)	CC		200	59.102.52	1602564
K68/22R	2400	32	1 3/8" (21)	CC		200	59.103.52	1603332
K68/22R	2400	32	1 3/8" (6)	KB	50	150	59.106.52	1601753***
K68/22R	2400	32	1 3/8" (6)	KB	50	165	59.106.52	1142125
K68/22R	2400	32	1 3/8" (6)	KB	50	235	59.106.52	1601791***
K68/22R	2400	32	1 3/4" (6)	KB	59	165	59.110.52**	1601835**
K68/22R	2400	32	1 3/4" (6)	KB	80	165	59.110.52	1601835
K68/22R	2500	36	1 3/8" (6)	KB	50	210	59.113.52	1603126
K68/22R	2500	36	1 3/8" (6)	KB	50	235	59.113.52	1604182***
K68/22R	2500	36	1 3/4" (6)	KB	80	200	59.119.52	1603344***
K68/22R	2500	36	1 3/4" (6)	KB	59	210	59.105.52*	
K68/22R	2500	36	1 3/4" (6)	KB	80	210	59.119.52	1602560
K68/22R	2500	36	1 3/4" (6)	KB	80	250	59.119.52	1603345

KB = clamp bridge

CC = clamping cone

* K68/22 (59.105.52/ 1602560) with hub D = 59 mm replaced by K68/22 (59.119.52/1602560) with hub D = 80 mm

** hub D = 59 mm replaced by hub D = 80 mm

*** item available soon

K68/24R – K68/24L

Type	Size	d [mm]	A Profil	Lock	D [mm]	M [daNm]	Drawing-No.	Part-No.
K68/24R	2600	42	1 3/4" (6)H	CC		260	59.112.52	1602334
K68/24R	2600	42	1 3/4" (20)H	CC		250	59.107.53	1604169***
K68/24R	2600	42	1 3/4" (20)H	CC		350	59.107.53	1603598
K68/24L	2600	42	1 3/4" (20)H	CC		350	59.108.53	1604265

KB = clamp bridge

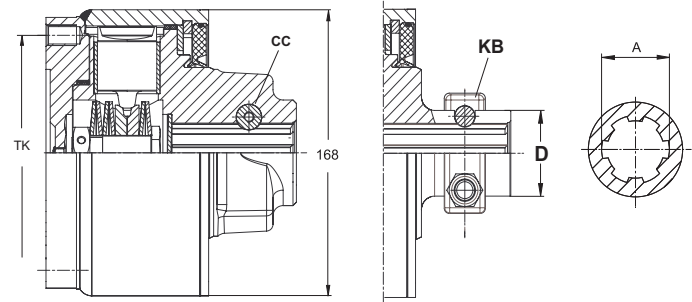
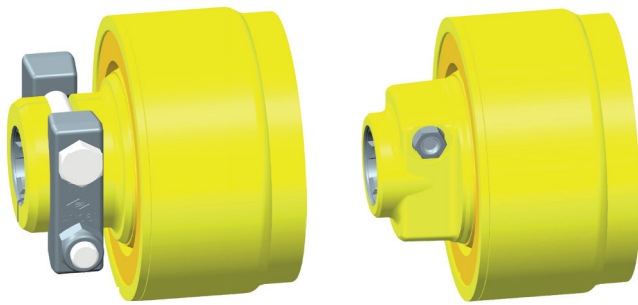
CC = clamping cone

*** item available soon

PRODUCT INFORMATION

PTO PI1701.1_GB

Cam-type cut out clutch K68 / EK68



EK68/22R

Type	TK ¹⁾ [mm]	Technical data	A Profil	Lock	D [mm]	M [daNm]	Drawing-No.	Part-No.
EK68/22R	138	6xM12	1 3/4" (6)	KB	50	165	59.115.52	1603321***
EK68/22R	138	6xM12	1 3/4" (6)	KB	59	165	59.111.52	1603322**
EK68/22R	138	6xM12	1 3/4" (6)	KB	80	165	59.111.52	1603322
EK68/22R	138	6xM12	1 3/4" (6)	KB	80	200	59.111.52	1602720
EK68/22R	138	6xM12	1 3/4" (6)	KB	80	210FIX	59.111.52	1603562***

1) TK = pitch circle diameter

KB = clamp bridge

CC = clamping cone

** hub D = 59 mm replaced by hub D = 80 mm

*** item available soon

EK68/24R – EK68/24L

Type	TK ¹⁾ [mm]	Technical data	A Profil	Lock	M [daNm]	Drawing-No.	Part-No.
EK68/24R	138	12xM12	1 3/4" (6)H	CC	380	59.100.53	1600841
EK68/24L	138	12xM12	1 3/4" (6)H	CC	380	59.101.53	1600842

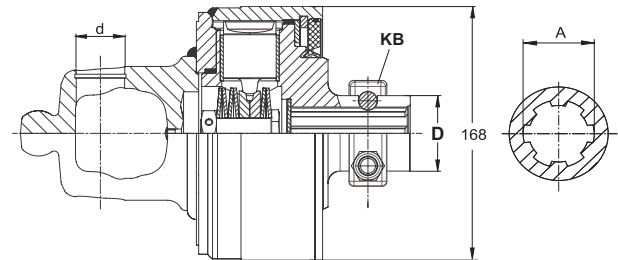
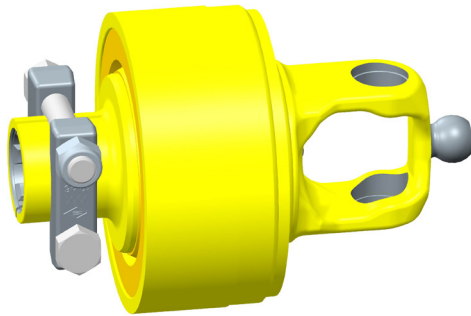
1) TK = pitch circle diameter

CC = clamping cone

PRODUCT INFORMATION

PTO PI1701.1_GB

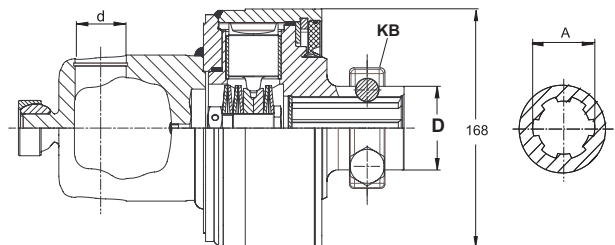
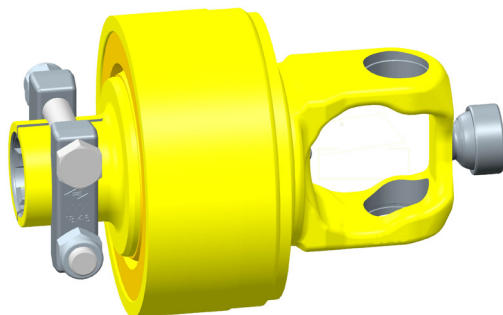
Cam-type cut out clutch K68 / EK68



K68/22R WIDE-ANGLE

Type	Size	d	A	Lock	D	M	Drawing-No.	Part-No.
		[mm]	Profil		[mm]	[daNm]		
K68/22R	2480	32	1 3/8" (6)	KB	50	150	59.107.52	1601754***

KB = clamp bridge
 *** item available soo



K68/22R WIDE-ANGLE P (POWER DRIVE)

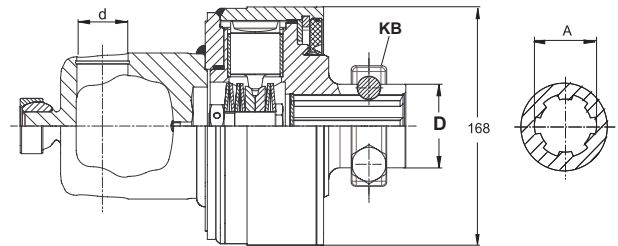
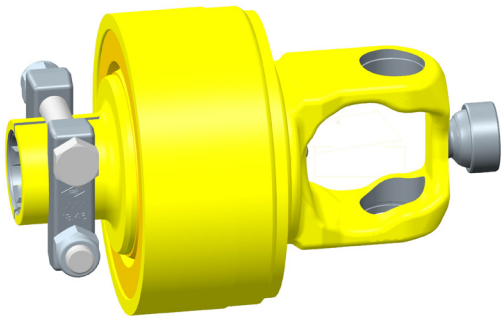
Type	Size	d	A	Lock	D	M	Drawing-No.	Part-No.
		[mm]	Profil		[mm]	[daNm]		
K68/22R	P580	36	1 3/4" (6)	KB	59	200	59.104.52*	
K68/22R	P580	36	1 3/4" (6)	KB	80	200	59.118.52	1609213***
K68/22R	P580	36	1 3/4" (6)	KB	80	235	59.118.52	1603276
K68/22R	P580	36	1 3/4" (6)	KB	59	250	59.104.52*	
K68/22R	P580	36	1 3/4" (6)	KB	80	250	59.118.52	1603343

KB = clamp bridge
 * K68/22 (59.104.52/ 1609213) with hub D = 59 mm replaced by K68/22 (59.118.52/1609213) with hub D = 80 mm
 * K68/22 (59.104.52/ 1603343) with hub D = 59 mm replaced by K68/22 (59.118.52/1603343) with hub D = 80 mm
 *** item available soon

PRODUCT INFORMATION

PTO PI1701.1_GB

Cam-type cut out clutch K68 / EK68



K68/24R WIDE-ANGLE P (POWER DRIVE)

Type	Size	d	A	Lock	D	M	Drawing-No.	Part-No.
		[mm]	Profil		[mm]	[daNm]		
K68/24R	P580	36	1 3/4" (6)	KB	80	250FIX	59.106.53	1603563***
K68/24R	P675	36	1 3/4" (6)	KB	59	250	59.104.53*	1602638*
K68/24R	P675	36	1 3/4" (6)	KB	80	250	59.105.53	1603564

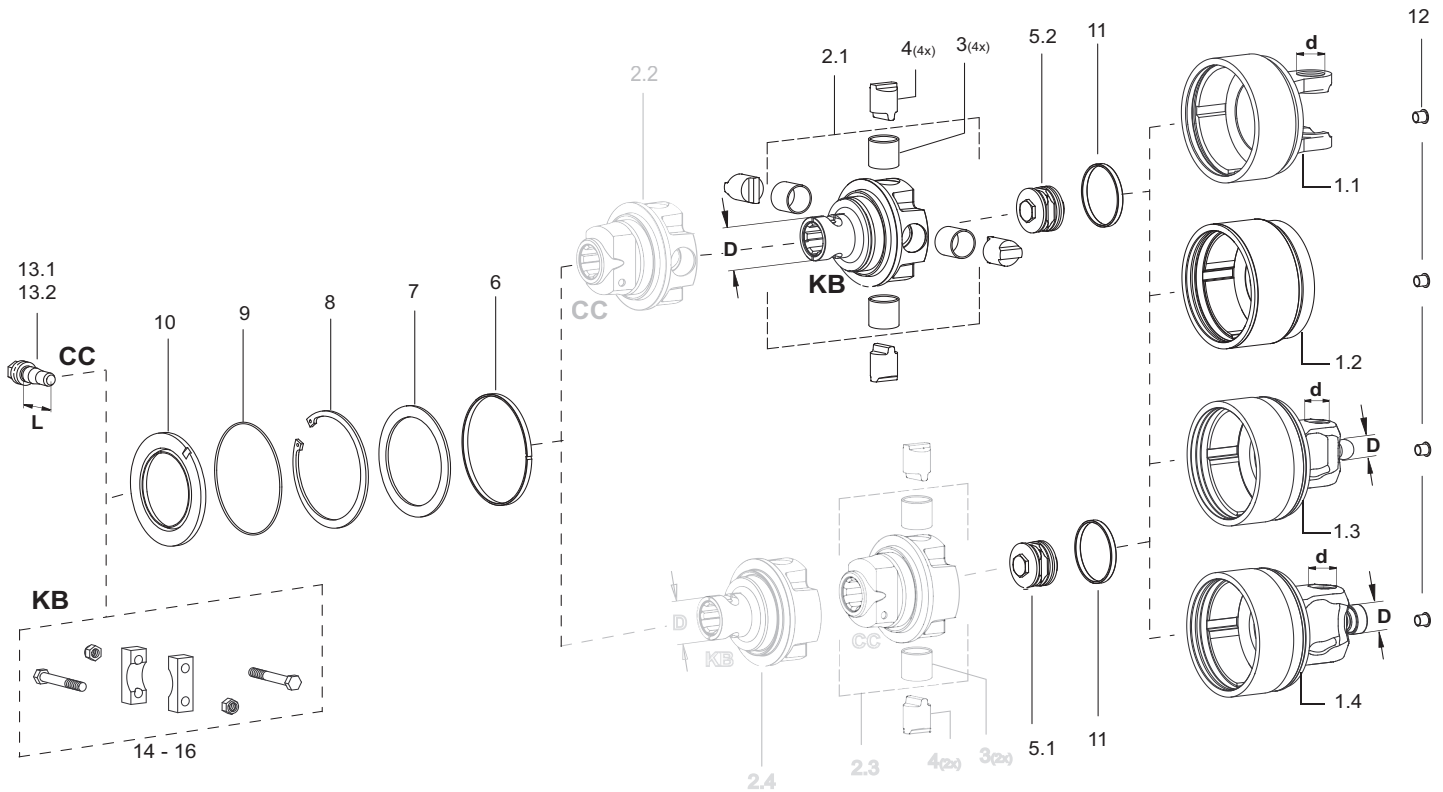
KB = clamp bridge

* K68/24 (59.104.53/ 1602638) with hub D = 59 mm replaced by K68/24 (59.105.53/1603564) with hub D = 80 mm

*** item available soon

PRODUCT INFORMATION

PTO PI1701.1_GB



Cam-type cut out clutch K68 / EK68 parts

Item	Designation	Size	d	M	TK ¹⁾	Technical data	D	L	Drawing-No.	Part-No.
			[mm]	[daNm]	[mm]		[mm]	[mm]		
1.1	K68/22-24R Clutch housing	2400	32						35.90.19+	1601131
1.1	K68/22-24R Clutch housing	2500	36						36.90.34	1602015
1.1	K68/22-24L Clutch housing	2500	36						36.90.35	1602016
1.1	K68/22-24R Clutch housing	2600	42						26.90.20	1601808
1.1	K68/22-24L Clutch housing	2600	42						26.90.22+	1603791
1.2	EK68/22-24L Clutch housing				138	(6 / 12) x M12			59.28.02	1600948
1.2	EK68/22-24R Clutch housing				138	(6 / 12) x M12			59.28.03	1600952
1.3	K68/22-24R Clutch housing	2480	32				27		35.90.22	1601751
1.4	K68/22-24R Clutch housing	P580	36				39		36.90.32	1159817
1.4	K68/22-24R Clutch housing	P675	42				39		26.90.21	1602639
2.1	K68/24 Hub					1 3/8" (6)-KB	50		59.29.13	1604124
2.1	K68/24 Hub					1 3/8" (21)-KB	50		59.29.14	1604125
2.1	K68/24 Hub					1 3/4" (6)-KB	80		59.29.11	1603356
2.1	K68/24 Hub					1 3/4" (20)-KB	80		59.29.12	1604123
2.2	K68/24 Hub					CC				
2.3	K68/22 Hub					CC				use hub K68/24-KB
2.4	K68/22 Hub					KB				
3	Bush					35x39x30			16.50.721	1600834
4	Cam					Ø 35			59.23.01	1127120

1) TK = pitch circle diameter

KB = clamp bridge

CC = clamping cone

PRODUCT INFORMATION

PTO PI1701.1_GB

Cam-type cut out clutch K68 / EK68 parts

Item	Designation	Size	d	M	TK ¹⁾	Technical data	D	L	Drawing-No.	Part-No.
			[mm]	[daNm]	[mm]		[mm]	[mm]		
5.1	K64-K68/22 Spring pack assembly			150		6x2,0 mm			59.27.04	1129938
5.1	K64-K68/22 Spring pack assembly			165		6x2,0 mm			59.27.04	1129939
5.1	K64-K68/22 Spring pack assembly			200		6x2,0 mm			59.27.04	1129941
5.1	K64-K68/22 Spring pack assembly			220		6x2,0 mm			59.27.04	1129942
5.1	K64-K68/22 Spring pack assembly			235		6x2,0 mm			59.27.04	1134858
5.1	K64-K68/22 Spring pack assembly			250		6x2,0 mm			59.27.04	1134859
5.2	K64-K68/24 Spring pack assembly			250		5x2,5 mm			59.27.00	1128477
5.2	K64-K68/24 Spring pack assembly			270		5x2,5 mm			59.27.00	1129841
5.2	K64-K68/24 Spring pack assembly			290		5x2,5 mm			59.27.00	1129842
5.2	K64-K68/24 Spring pack assembly			320		5x2,5 mm			59.27.00	1129843
5.2	K64-K68/24 Spring pack assembly			350		5x2,5 mm			59.27.00	1129844
5.2	K64-K68/24 Spring pack assembly			380		5x2,5 mm			59.27.00	1136720
5.2	K64-K68/24 Spring pack assembly			400		6x2,5 mm			59.27.06	1134705
5.2	K64-K68/24 Spring pack assembly			420		6x2,5 mm			59.27.06	1136718
5.2	K64-K68/24 Spring pack assembly			450		6x2,5 mm			59.27.06	1134706
6	Ring					145x150x7,5			16.52.13	1600833
7	Supporting ring					120x150x3,5			16.20.81	1364621
8	Retaining ring					DIN 472 150x5				1159524
9	O-ring					145x2,5				1159574
10	Sealing ring								68.18.13	1600836
11	Ring					80x85x7,5			16.52.12	1600832
12	Plug					2x7,5x6,6x5				1159809
13.1	Clamping cone CC					1 3/8"		38,5	65.12.06	1107540
13.2	Clamping cone CC					1 3/4"		43,0	65.12.08	1107542

PRODUCT INFORMATION

PTO PI1701.1_GB

Cam-type cut out clutch K68 / EK68 parts

Item	Designation	Size	d	M	TK ¹⁾	Technical data	D	L	Drawing-No.	Part-No.	
			[mm]	[daNm]	[mm]		[mm]	[mm]			
14-16											
	Item	Designation				Technical data	D	L	Drawing-No.	Part-No.	
							[mm]	[mm]			
	14.1	Bridge				1 3/8"	50		16.20.51	1332178*	
	14.2	Hexagon bolt				M12x85			60.06.11	1020471*	
	14.3	Self-locking hexagon nut				M12			60.53.03	1010490*	
	15.1	Bridge				1 3/4"	59		16.20.99	1186397*	
15.2	Hexagon bolt				M16x110			60.09.11	1304065*		
16.1	Bridge				1 3/4"	80		16.20.249	1603918*		
16.2	Hexagon bolt				M16x130				1609212*		
16.3	Self-locking hexagon nut				M16			60.57.02	1304011*		

1) TK = pitch circle diameter

KB = clamp bridge

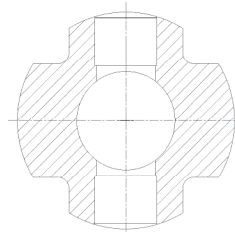
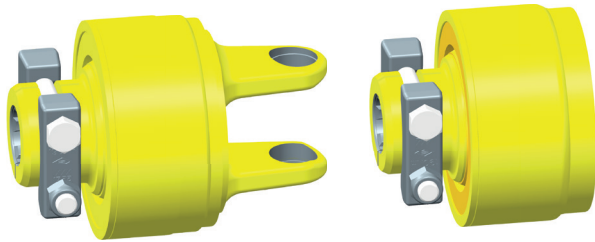
CC = clamping cone

* order 2 pieces per article!

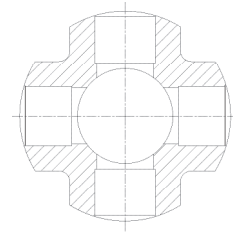
PRODUCT INFORMATION

PTO PI1701.1_GB

Cam-type cut out clutch K68 / EK68
with 1 3/4" profiles and clamp bridge "KB"

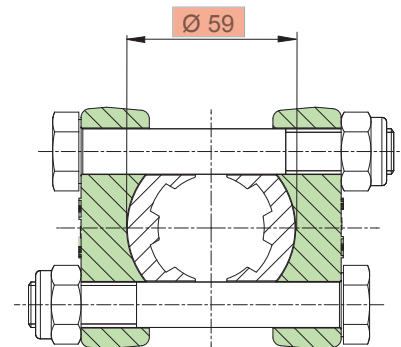
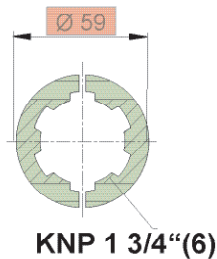
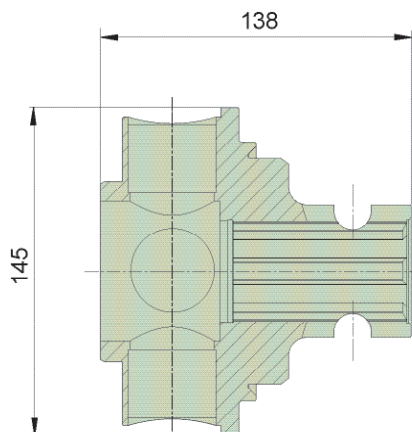


Hub K68/22



Hub K68/24

Old version up to December 2016



Hub K68/22 -1 3/4"(6) (1159810 / 59.29.06)

Hub K68/24 -1 3/4"(6) (1602642 / 59.29.09)

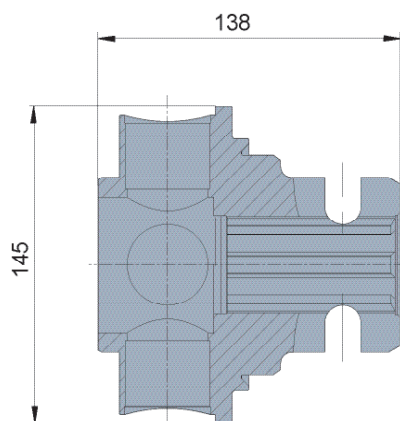


PRODUCT INFORMATION

PTO PI1701.1_GB

Cam-type cut out clutch K68 / EK68
with 1 3/4" profiles and clamp bridge "KB"

New version as of January 2017



Hub K68/22-1 3/4"(6)
(1609216 / 59.29.10)

Hub K68/24 -1 3/4"(6)
(1603356 / 59.29.11)

Hub K68/24 -1 3/4"(20)
(1604123 / 59.29.12)

