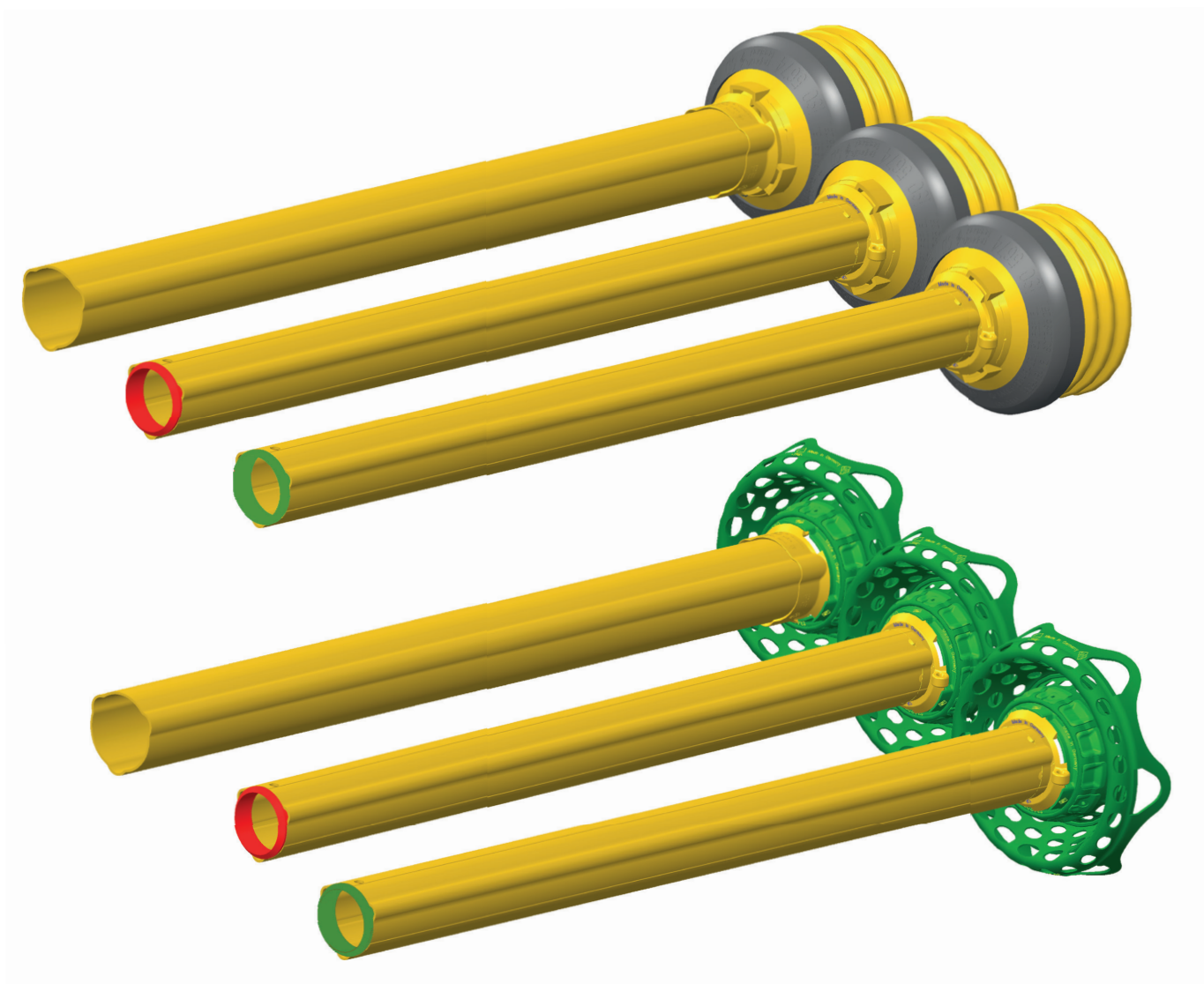


PTO GUARD ST25

ST25 Guard - Components for Series W and WW



GUARD-COMPONENTS

ST25-Guard - Components Series W und WW

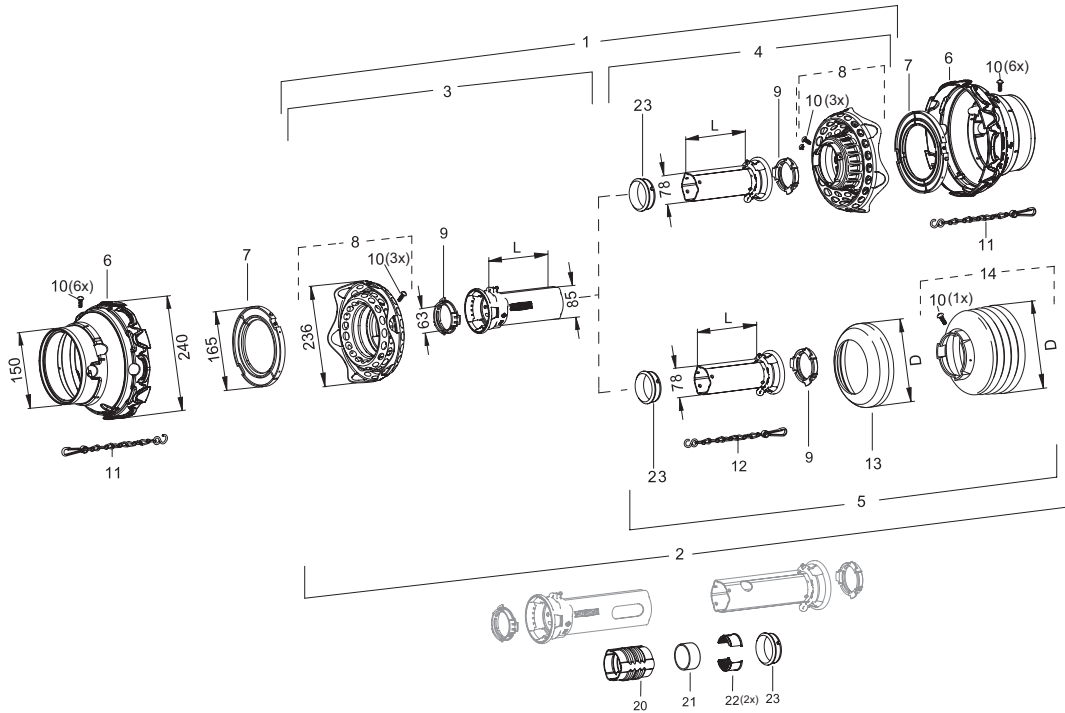
Item	Designation	Guard	D	n ¹⁾	L	Drawing-No.	Part-No.
			[mm]		[mm]		
5	Inner guard half	STH25Z	149	14	1500	-	1113777
6	Inner guard half	STH25Z	185	7	1000		1113779
6	Inner guard half	STH25Z	185	7	1500		1113781
6	Inner guard half	STH25Z	177	12	1000		1113783
6	Inner guard half	STH25Z	177	12	1500		1113785
6	Inner guard half	STH25Z	185	8	1000		1113787
6	Inner guard half	STH25Z	185	8	1500		1113789
6	Inner guard half	STH25Z	173	14	1000		1113791
6	Inner guard half	STH25Z	173	14	1500		1113793
7	Guard cone	SC25	160	7	147	85.25.110	1121529
7	Guard cone	SC25	149	14	265	85.25.117	1138021
8	Guard cone	SC25	185	7	153	85.26.157	1606157
8	Guard cone	SC25	177	12	239	85.26.162	1606162
8	Guard cone	SC25	185	8	170	85.26.108	1626108
8	Guard cone	SC25	173	14	274	85.26.114	1626114
9	SD supporting ring	SD15/25	165			82.85.00	1359471
10	SD supporting ring	SD25	191			82.85.03	1359474
11	Sliding ring	SD25				82.83.04	1087276
12	Screw for guard cone					60.15.00	1365305
13	Safety chain				400	82.36.03	1044321
13	Safety chain				600	82.36.08	1382078
20	Lubrication hole covers	ST25				87.74.101	607342
21	Supporting ring for intermediate bearing	SD25Z				16.20.74	1381284
22	Press ring intermediate bearing	SD25Z					1607362
23	Sliding ring for intermediate bearing (red)	SD25Z				82.83.107	1355155
23	Sliding ring for intermediate bearing (green)**	SD25Z				82.83.115	1158845

1) n = Number of ribs

** Sliding ring (green) is used for S5 profiles without supporting ring (Pos.21)

GUARD-COMPONENTS

ST25-Guard - Components Series W und WW



STF25 GUARD FOR SERIES WWE / WWZ 2380 WITH FLEXO CONE

Item	Designation	Guard	D	n ¹⁾	L	Drawing-No.	Part-No.
			[mm]		[mm]		
1	Guard kpl.	STF25	240		1000	-	-
1	Guard kpl.	STF25	240		1500	-	-
2	Guard kpl.	STF25	240		1000	-	-
2	Guard kpl.	STF25	240		1500	-	-
3	Outer guard half	STFH25	240		1000	-	1113794
3	Outer guard half	STFH25	240		1500	-	1113796
4	Inner guard half	STFH25Z	240		1000	-	1113795
4	Inner guard half	STFH25Z	240		1500	-	1113797
5	Inner guard half	STH25Z	160	7	1000	-	1113771
5	Inner guard half	STH25Z	160	7	1500	-	1113773
5	Inner guard half	STH25Z	149	14	1000	-	1113775
5	Inner guard half	STH25Z	149	14	1500	-	1113777
5	Inner guard half	STH25Z	185	7	1000	-	1113779
5	Inner guard half	STH25Z	185	7	1500	-	1113781
5	Inner guard half	STH25Z	177	12	1000	-	1113783
5	Inner guard half	STH25Z	177	12	1500	-	1113785
6	Guard cone	STF25	240		147	85.01.04	1134401

1) n = Number of ribs

** Sliding ring (green) is used for S5 profiles without supporting ring (Pos.21)

GUARD-COMPONENTS

ST25-Guard - Components Series W und WW

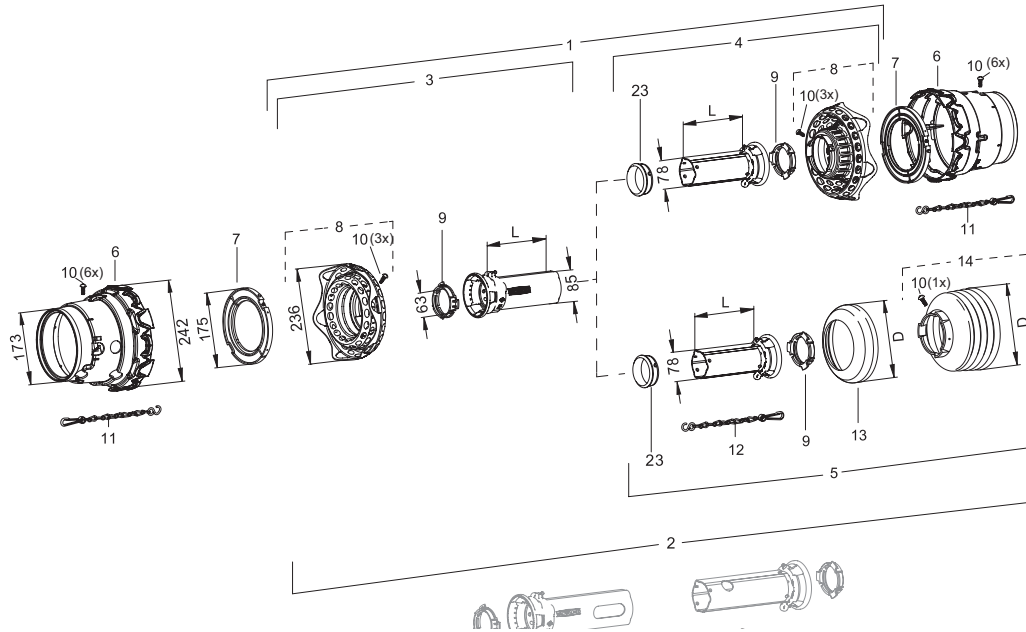
Item	Designation	Guard	D	n ¹⁾	L	Drawing-No.	Part-No.
			[mm]		[mm]		
7	Sliding ring for wide angle	SD15/25	165			82.83.13	1365717
8	Flexo cone	SDF25/20	236			85.25.62	1134847
9	Sliding ring	SD25				82.83.04	1087276
10	Screw for guard cone					60.15.00	1365305
11	Safety chain				600	82.36.08	1382078
12	Safety chain				400	82.36.03	1044321
13	SD supporting ring	SD15/25	165			82.85.00	1359471
13	SD supporting ring	SD25	191			82.85.03	1359474
14	Guard cone	SC25	160	7	147	85.25.110	1121529
14	Guard cone	SC25	149	14	265	85.25.115	1138021
14	Guard cone	SC25	185	7	153	85.26.157	1606167
14	Guard cone	SC25	177	12	239	85.26.162	1606162
20	Lubrication hole covers	ST25				87.74.101	607342
21	Supporting ring for intermediate bearing	SD25Z				16.20.74	1381284
22	Press ring intermediate bearing	SD25Z					1607362
23	Sliding ring for intermediate bearing	SD25Z				82.83.107	1355155
23	Sliding ring for intermediate bearing (green)**	SD25Z				82.83.115	1158845

1) n = Number of ribs

** Sliding ring (green) is used for S5 profiles without supporting ring (Pos.21)

GUARD-COMPONENTS

ST25-Guard - Components Series W und WW



STF25 GUARD FOR SERIES WWE / WWZ 2480 WITH FLEXO CONE

Item	Designation	Guard	D	n ¹⁾	L	Drawing-No.	Part-No.
			[mm]		[mm]		
1	Guard kpl.	STF25	242		1000	-	-
1	Guard kpl.	STF25	242		1500	-	-
2	Guard kpl.	STF25	242		1000	-	-
2	Guard kpl.	STF25	242		1500	-	-
3	Outer guard half	STFH25	242		1000	-	1113794
3	Outer guard half	STFH25	242		1500	-	1113796
4	Inner guard half	STFH25Z	242		1000	-	1113795
4	Inner guard half	STFH25Z	242		1500	-	1113797
5	Inner guard half	STH25Z	160	7	1000	-	1113771
5	Inner guard half	STH25Z	160	7	1500	-	1113773
5	Inner guard half	STH25Z	149	14	1000	-	1113775
5	Inner guard half	STH25Z	149	14	1500	-	1113777
5	Inner guard half	STH25Z	185	7	1000	-	1113779
5	Inner guard half	STH25Z	185	7	1500	-	1113781
5	Inner guard half	STH25Z	177	12	1000	-	1113783
5	Inner guard half	STH25Z	177	12	1500	-	1113785
6	Guard cone	SDF25/20	242		186	85.01.02	1129928
7	Sliding ring for wide angle	SD25	175			82.83.14	1172715
8	Flexo cone	SDF25/20	236			85.25.62	1134847

1) n = Number of ribs

** Sliding ring (green) is used for S5 profiles without supporting ring (Pos.21)

GUARD-COMPONENTS

ST25-Guard - Components Series W und WW

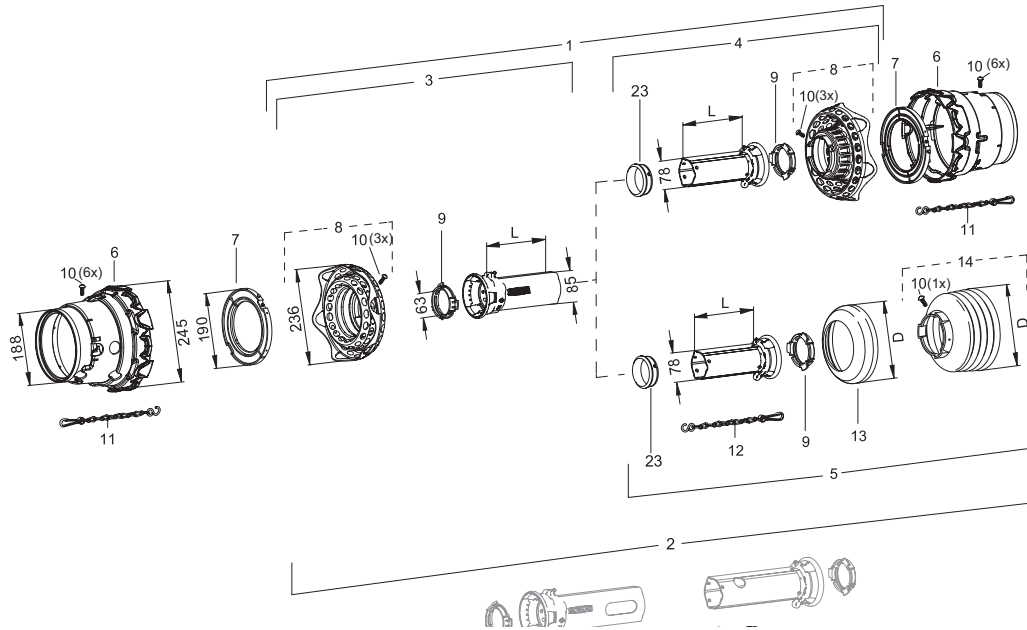
Item	Designation	Guard	D	n ¹⁾	L	Drawing-No.	Part-No.
			[mm]		[mm]		
9	Sliding ring	SD25				82.83.04	1087276
10	Screw for guard cone					60.15.00	1365305
11	Safety chain				600	82.36.08	1382078
12	Safety chain				400	82.36.03	1044321
13	SD supporting ring	SD15/25	165			82.85.00	1359471
13	SD supporting ring	SD25	191			82.85.03	1359474
14	Guard cone	SC25	160	7	147	85.25.110	1121529
14	Guard cone	SC25	149	14	265	85.25.115	1138021
14	Guard cone	SC25	185	7	153	85.26.157	1606167
14	Guard cone	SC25	177	12	239	85.26.162	1606162
20	Lubrication hole covers	ST25				87.74.101	607342
21	Supporting ring for intermediate bearing	SD25Z				16.20.74	1381284
22	Press ring intermediate bearing	SD25Z					1607362
23	Sliding ring for intermediate bearing	SD25Z				82.83.107	1355155
23	Sliding ring for intermediate bearing (green)**	SD25Z				82.83.115	1158845

1) n = Number of ribs

** Sliding ring (green) is used for S5 profiles without supporting ring (Pos.21)

GUARD-COMPONENTS

ST25-Guard - Components Series W und WW



STF25 GUARD FOR SERIES WWE / WWZ 2580 WITH FLEXP CONE

Item	Designation	Guard	D	n ¹⁾	L	Drawing-No.	Part-No.
			[mm]		[mm]		
1	Guard kpl.	STF25	245		1000	-	-
1	Guard kpl.	STF25	245		1500	-	-
2	Guard kpl.	STF25	245		1000	-	-
2	Guard kpl.	STF25	245		1500	-	-
3	Outer guard half	STFH25	245		1000	-	1113794
3	Outer guard half	STFH25	245		1500	-	1113796
4	Inner guard half	STFH25Z	245		1000	-	1113795
4	Inner guard half	STFH25Z	245		1500	-	1113797
5	Inner guard half	STH25Z	185	8	1000	-	1113787
5	Inner guard half	STH25Z	185	8	1500	-	1113789
5	Inner guard half	STH25Z	173	14	1000	-	1113791
5	Inner guard half	STH25Z	173	14	1500	-	1113793
6	Guard cone	SDF25/20	245	3	203	85.01.03	1129929
7	Sliding ring for wide angle	SD25	190			82.83.15	1172716
8	Flexo cone	SDF25/20	236			85.25.62	1134847
9	Sliding ring	SD25				82.83.04	1087276
10	Screw for guard cone					60.15.00	1365305
11	Safety chain				600	82.36.08	1382078
12	Safety chain				400	82.36.03	1044321

1) n = Number of ribs

** Sliding ring (green) is used for S5 profiles without supporting ring (Pos.21)

GUARD-COMPONENTS

ST25-Guard - Components Series W und WW

Item	Designation	Guard	D	n ¹⁾	L	Drawing-No.	Part-No.
			[mm]		[mm]		
13	SD supporting ring	SD25	191			82.85.03	1359474
14	Guard cone	SC25	185	8	170	85.26.108	1626108
14	Guard cone	SC25	173	14	274	85.26.114	1626114
20	Lubrication hole covers	ST25				87.74.101	607342
21	Supporting ring for intermediate bearing	SD25Z				16.20.74	1381284
22	Press ring intermediate bearing	SD25Z					1607362
23	Sliding ring for intermediate bearing	SD25Z				82.83.107	1355155
23	Sliding ring for intermediate bearing (green)**	SD25Z				82.83.115	1158845

1) n = Number of ribs

** Sliding ring (green) is used for S5 profiles without supporting ring (Pos.21)



COMER INDUSTRIES CORPORATION

Walterscheid GmbH | Hauptstraße 150 | D-53797 Lohmar

Tel.: +49 2246 12-0 | Fax: +49 2246 12-3501

www.walterscheid.com