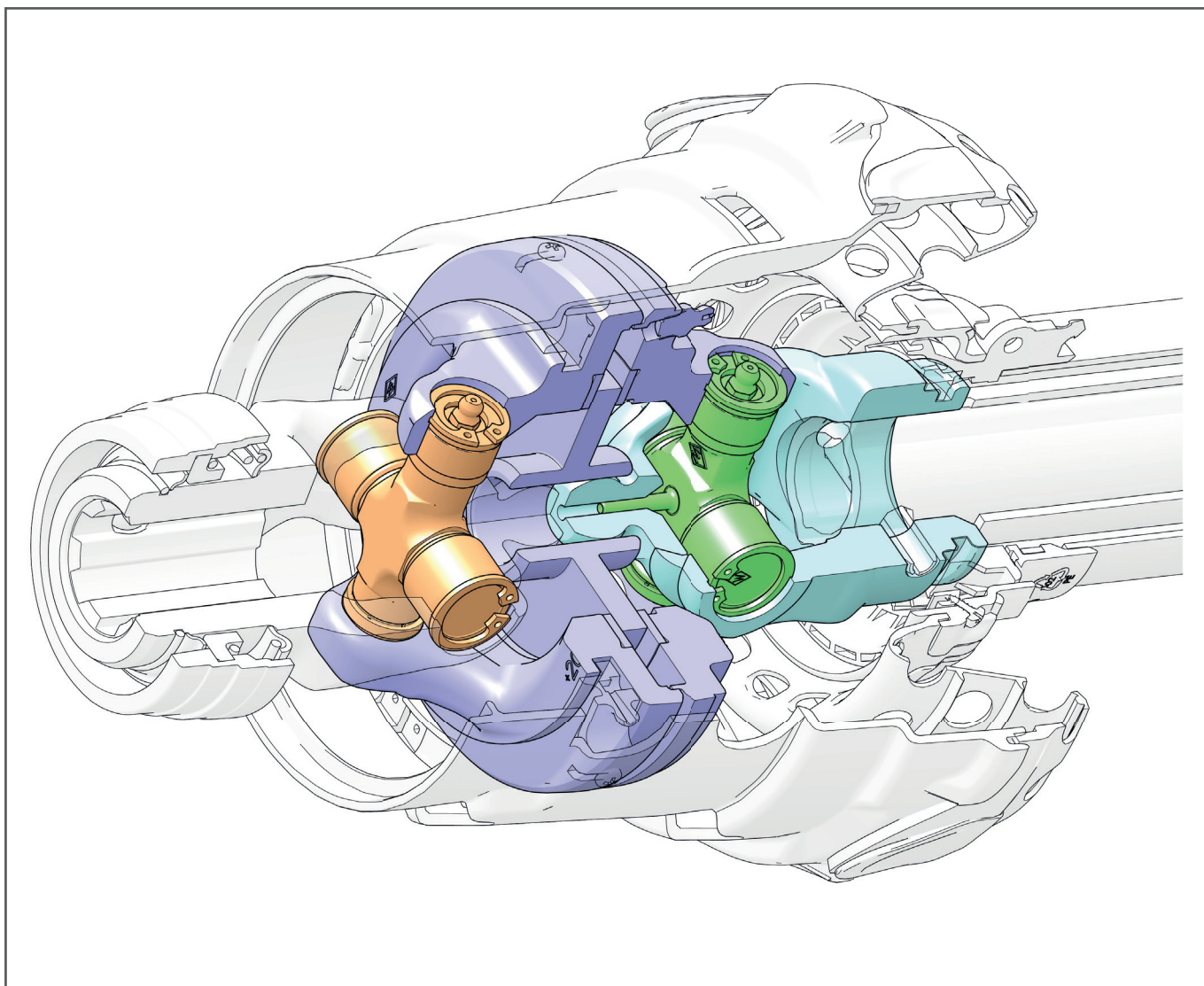


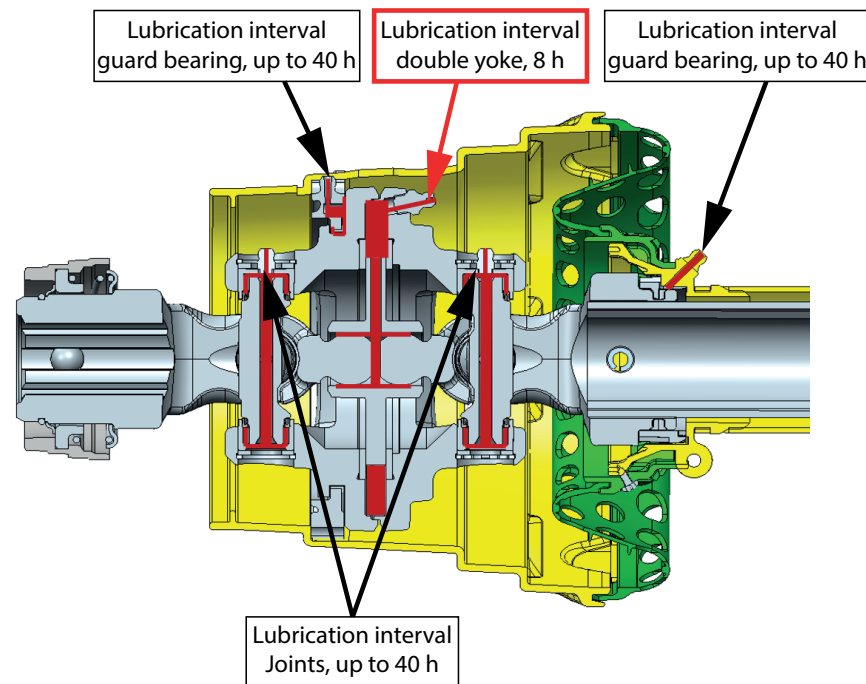
CENTRAL LUBRICATION WW2280-2380

Changes to individual components

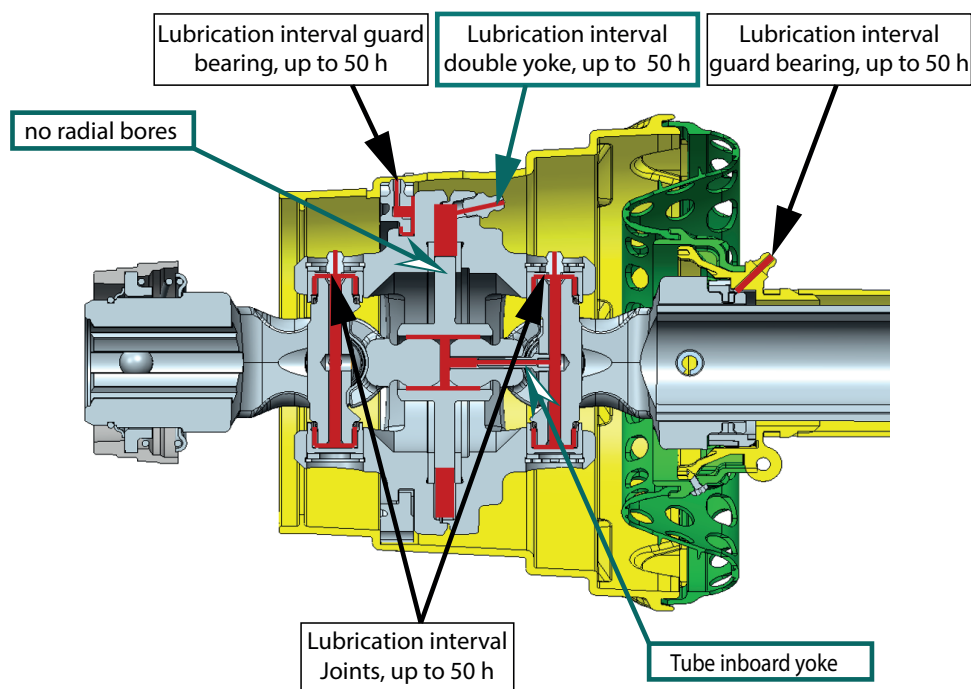


In order to increase the lubrication interval, the components for wide-angle joints WW2280-WW2380 have been revised. Due to the changes to the components, they have been given new part numbers. The following pages list the changes from the **old** to the **new** components for the wide angle joints.

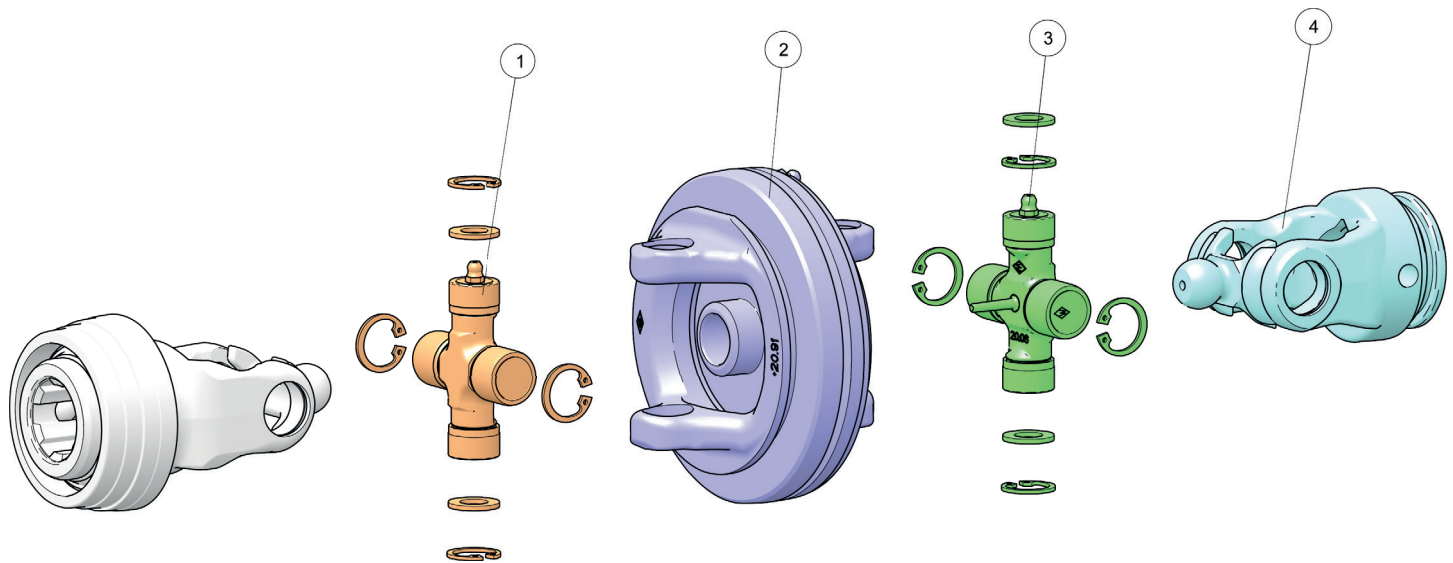
WIDE-ANGLE JOINTS **OLD VERSION**



WIDE-ANGLE JOINTS **NEW VERSION**



WIDE-ANGLE JOINTS MODIFICATIONS OF INDIVIDUAL COMPONENTS



Item	Designation	Profile	Guard Type	Part-No.
Wide-angle joint WW2280				
1	Wide-angle cross and bearing kits 1 x BBS* (Standard)			1116555
2	Wide angle double yoke			1607006
3	Wide-angle cross and bearing kits central lubrication 1 x BBS* (Standard)			1113845
4	Wide angle inboard yoke	00A	SC05	1607002
4	Wide angle inboard yoke	0A	SC05	1607003
4	Wide angle inboard yoke	0V	SC15	1607004
4	Wide angle inboard yoke	1	SC15	1607005

Wide-angle joint WW2380				
1	Wide-angle cross and bearing kits 1 x BBS* (Standard)			1116550
1	Wide-angle cross and bearing kits 1 x BBS* (Power Drive))			1137651
2	Wide angle double yokes			1607012
3	Wide-angle cross and bearing kits central lubrication 1 x BBS* (Standard)			1113494
3	Wide-angle cross and bearing kits central lubrication 1 x BBS* (Power Drive)			1113608
4	Wide angle inboard yoke	0V	SC15	1607009
4	Wide angle inboard yoke	1	SC15	1604778
4	Wide angle inboard yoke	1B	SC25	1398860
4	Wide angle inboard yoke	2A	SC25	1399194
4	Wide angle inboard yoke	ZNP35x31	SC15	1607010
4	Wide angle inboard yoke	AZ42,2	SC15	1607011

* BBS = Cap bottom lubrication