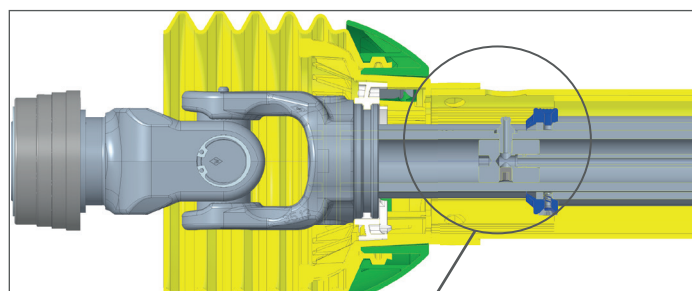
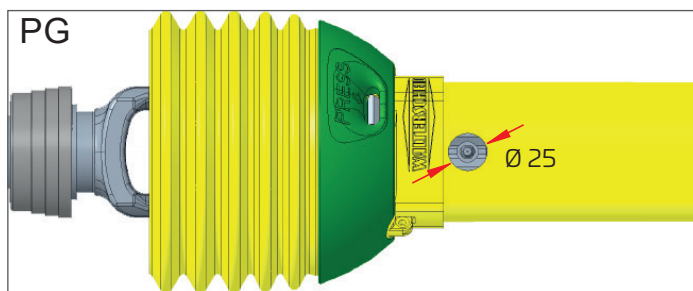


# TECHNICAL INFO

PTO TI1901.1\_GB

## HOLE FOR PROFILE TUBE LUBRICATION

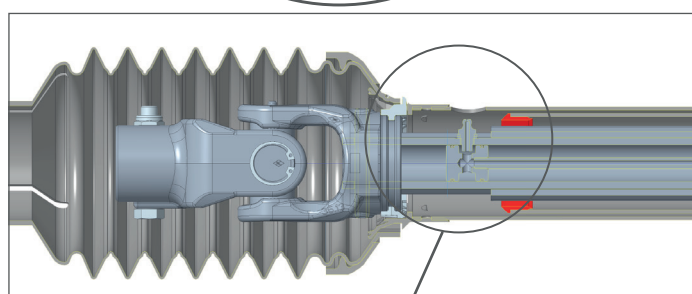
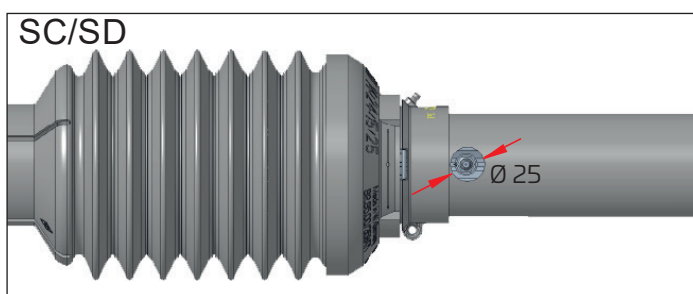
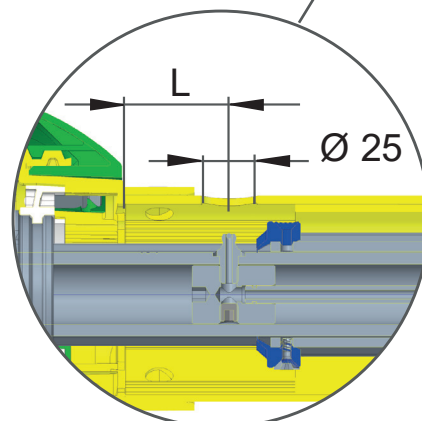
Position hole for profile tube lubrication



PG25 L = 45 mm

PG30 L = 60 mm

Ø Hole = 25 mm



SC/SD25 L = 45 mm

Ø Hole = 25 mm

